

EASYGARAGE®

Laminate Cabinet Installation Instructions

How To Use These Instructions

Thank you for your purchase! Please read each step of this manual thoroughly to ensure proper installation of your new EasyGarage storage solution.

These instructions assume that you are installing our standard units in a standard wood frame construction (i.e., 2" x 4" or 2" x 6" framing) preferably covered with drywall. If any aspect of your installation does not apply to these standard construction methods, contact Customer Service (1-888-991-1559). Installation into metal studs or masonry walls will require additional hardware available from your local hardware store.

Our limited lifetime warranty is based on following proper installation techniques. Installing your garage storage solution in any manner other than the steps outlined in this manual may lead to structural failure of the storage solution.

Index

Tools	2
Hardware	2-3
Components	3
Cabinet Assembly	4
Cabinet Installation	7
Component Installation	8
Work Surface (Top) Installation	9
Fixed Shelf Installation	10
Drawer Assembly and Installation	11
Adjustable Shelf Installation	15
Door Assembly and Installation	15
Slatwall Installation with Molding	17
Slatwall Installation without Molding	19
Accessory Installation	21

Getting Started

- A. Check your inventory before beginning installation!
 1. Check boxes: Ensure that you have received all boxes in your shipment. Each box is labeled with a content label. Note each box as well as the total number of boxes in the shipment.
 2. Open each box and compare the contents against the itemized list on the content label.
 3. Organize material: Organize the material per cabinet.
 4. Take a full inventory of the contents using the "Order Summary" as a checklist. Once all material has been inventoried, if any pieces are damaged, missing, or incorrect, please keep all packing material and contact Customer Service (1-888-991-1559).

Getting Started (continued)

- B. Remove existing storage.
- C. Prepare walls.
 1. Spackle and repaint: If desired, fill holes with spackling and repaint wall(s). As you fill in the holes, note these locations, as they often mark the locations of the studs.

These instructions are for informational purposes only. Your wall, any hidden wiring or plumbing, and overall work conditions may not be the same as those shown in the illustrations. It is your responsibility to ensure proper installation and, if in doubt, contact Customer Service. While our products are designed for homeowner installation, you assume all risk associated with the installation process.



This unit contains small parts which could be a choking hazard for small children. Children should be under adult supervision at all times or serious injury could occur.

QUESTIONS?

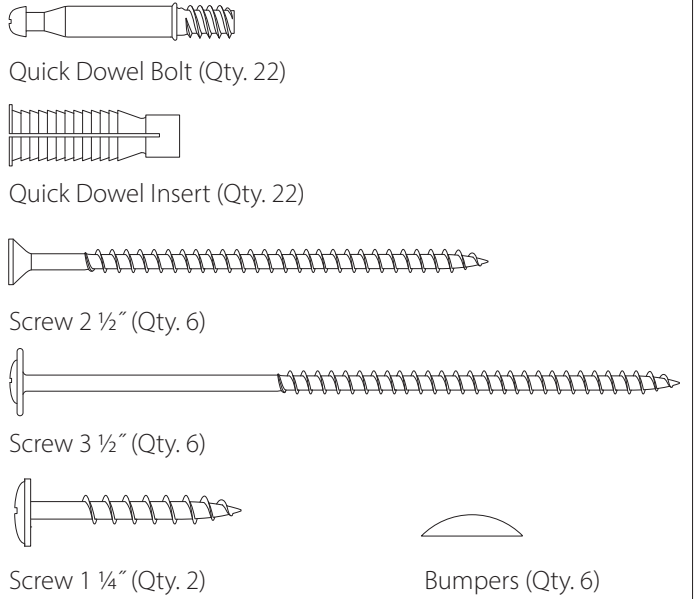
Call 1-888-991-1559 or
Email: Support@easygaragestorage.com

Tools (subject to your storage solution)

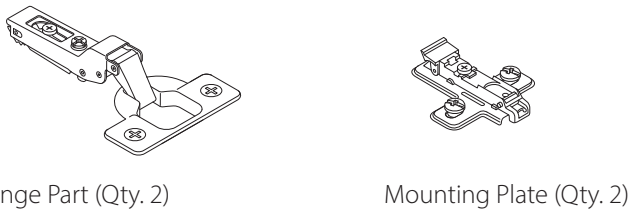


Hardware Kits (subject to your storage solution)

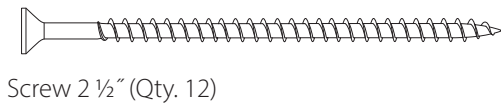
Cabinet Install Kit (210440)



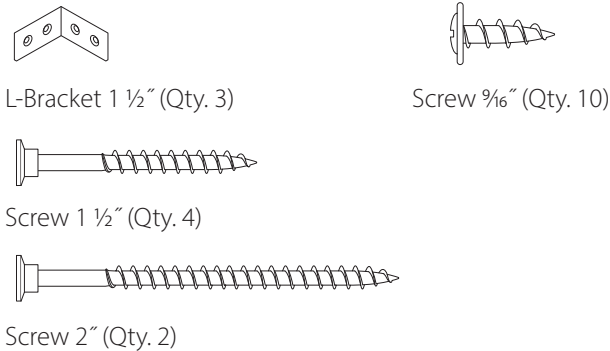
Hinge Kit (210441)



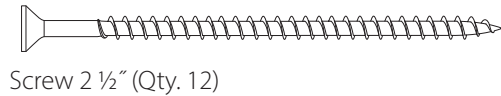
Slatwall Install Kit WH (210444)



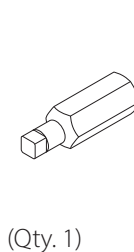
Work Surface Kit (210442)



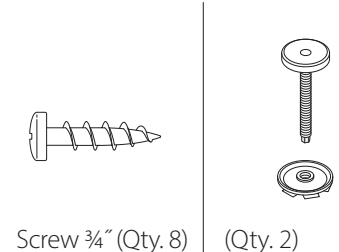
Slatwall Install Kit GR (210445)



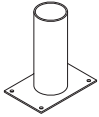
Sq. Drive Tip #2 Kit (210446)



Leg Adj. Hardware Kit (GL06HP)

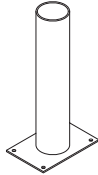


Leg 6" Kit (4806)



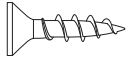
(Qty. 1)

Leg 12" Kit (4812)



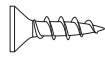
(Qty. 1)

Screw 5/8" Kit (210200/210209)



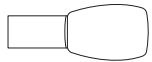
(Qty. 12/48)

Screw 1/2" Kit (210300)



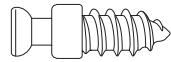
(Qty. 12)

Shelf Pin Kit (210197/210207)



(Qty. 12/48)

Single Cam Screw Kit (210353)



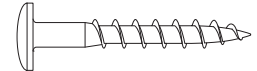
(Qty. 12)

Euro Screw Kit (210201/210203)



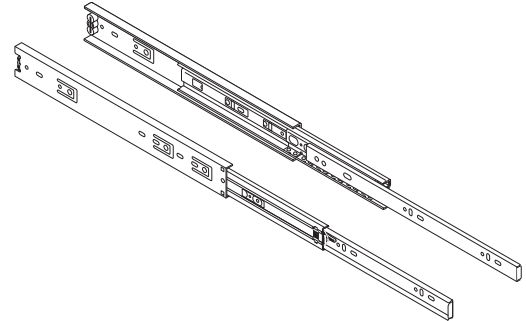
(Qty. 12/24)

Drawer Adj. Screw Kit (210213)



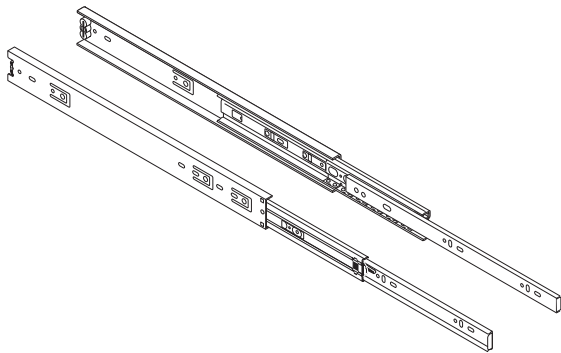
(Qty. 10)

Drawer Slide 18" Kit (5318)



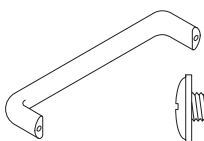
(Qty. 1 pair)

Drawer Slide 22" Kit (5322)

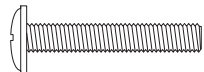


(Qty. 1 pair)

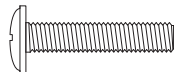
Handle Kit (220135)



(Qty. 1)

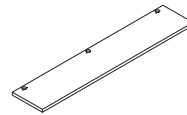


Screw 1" (Qty. 2)

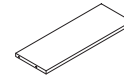


Screw 7/8" (Qty. 2)

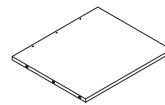
Components (subject to your storage solution)



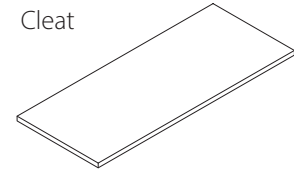
Door



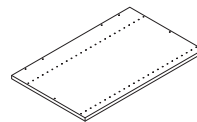
Cleat



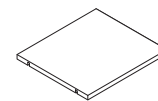
Deck



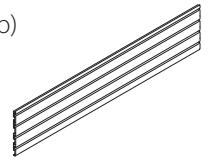
Work Surface (Top)



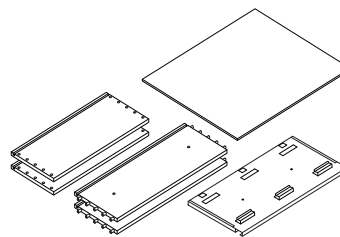
Vertical Panel (Vertical)



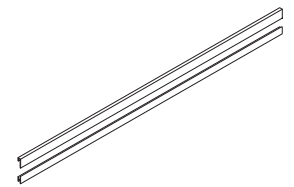
Shelf



Slatwall



Drawer



Slatwall Molding

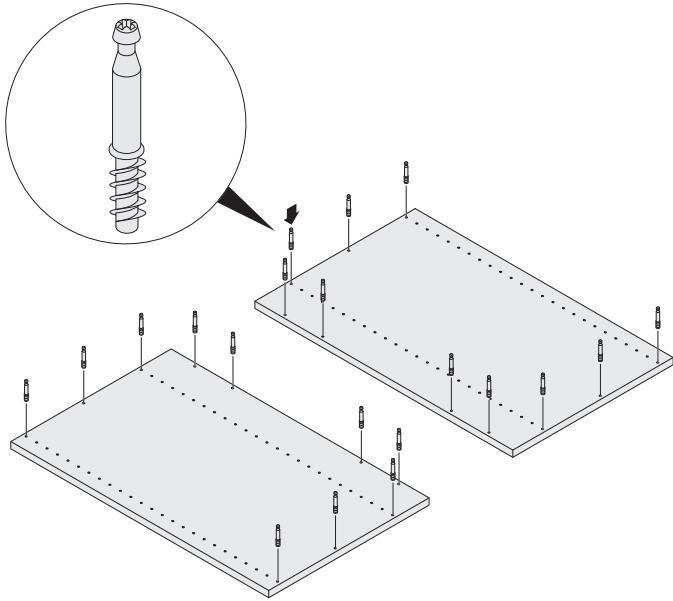
QUESTIONS?

Call 1-888-991-1559 or

Email: Support@easygaragestorage.com

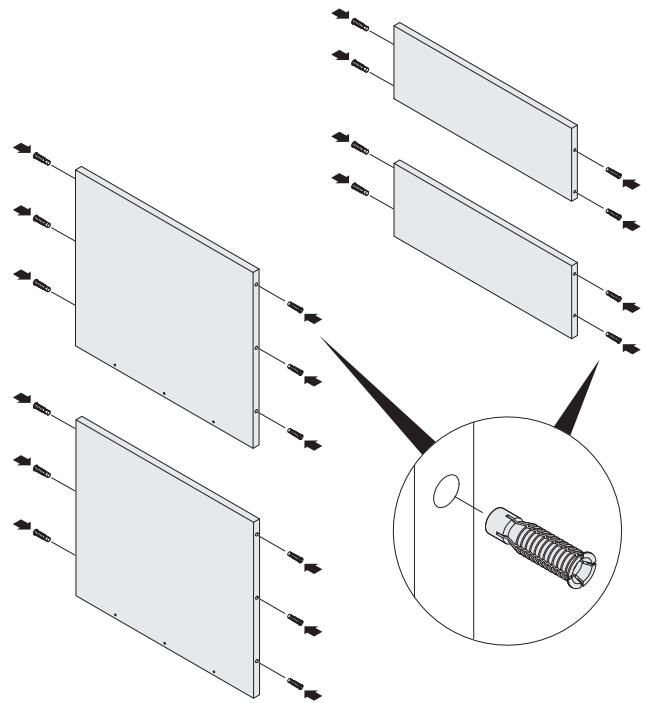
1 Cabinet Assembly

Lay verticals flat on floor. Screw metal quick dowel bolts into each vertical at location shown.



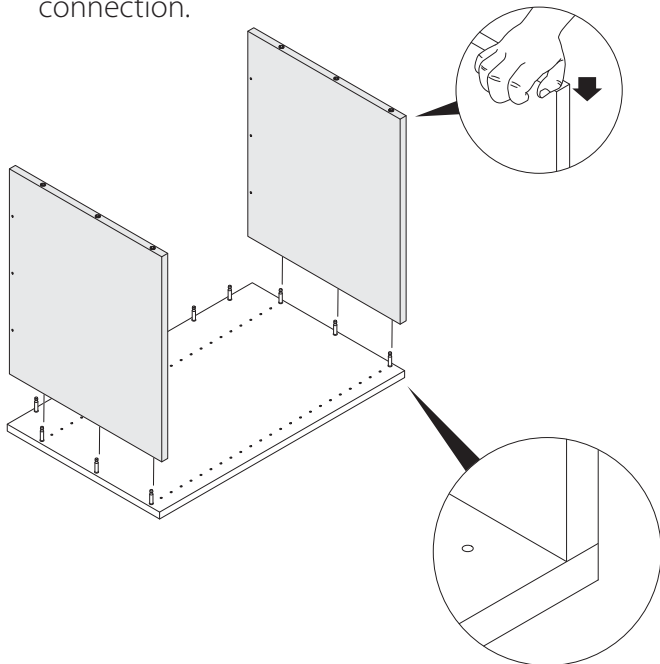
2 Decks and cleats

Push plastic quick dowel inserts into the ends of the cleats and decks.



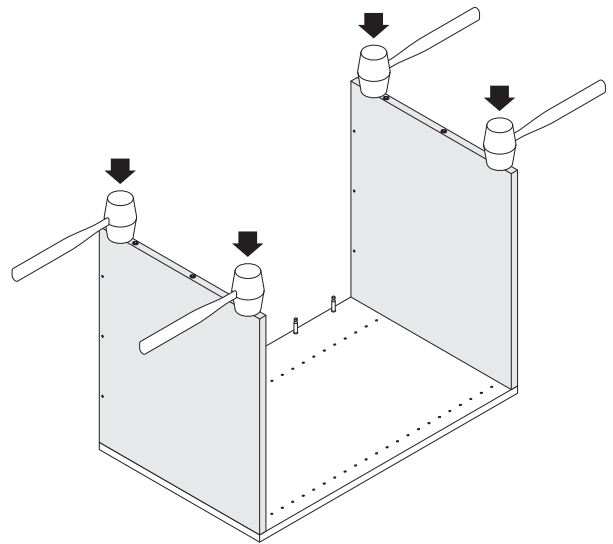
3 Install decks

Make sure the white side is facing inward! Align bolts and dowels, then push deck down slightly to confirm alignment. Tap with hand to start connection.



4 Tap with mallet

Tap with rubber mallet until pieces are tight.



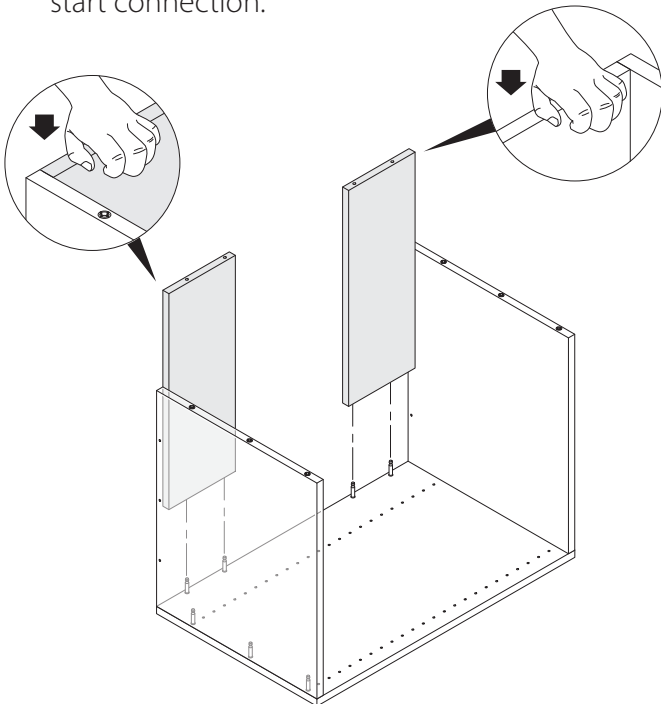
QUESTIONS?

Call 1-888-991-1559 or

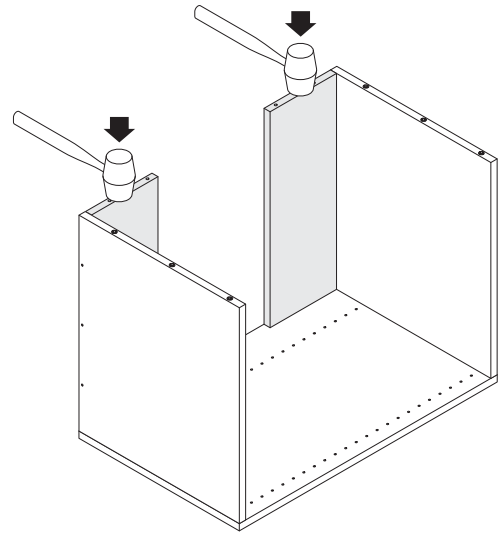
Email: Support@easygaragestorage.com

5 Install cleats

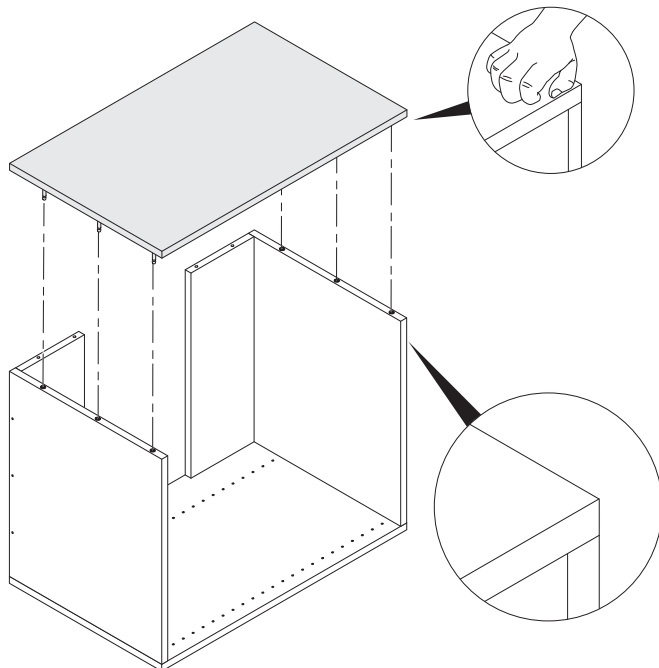
Align bolts and dowels, then push cleats down slightly to confirm alignment. Tap with hand to start connection.

**6 Tap with mallet**

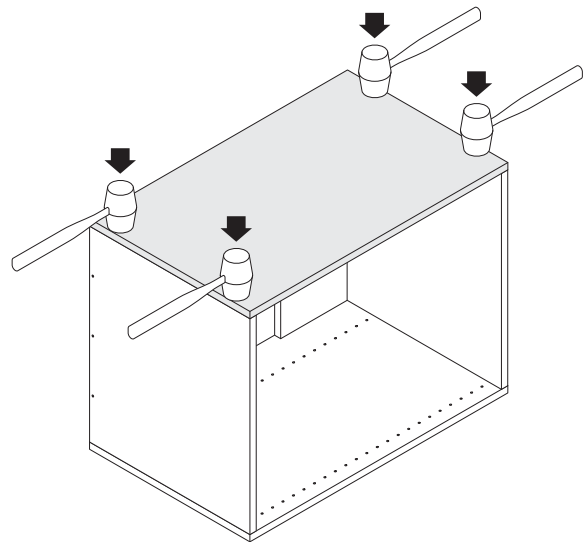
Tap with rubber mallet until pieces are tight.

**7 Install second vertical**

Align bolts and dowels, then push vertical down slightly to confirm alignment. Tap with hand to start connection.

**8 Tap with mallet**

Tap with rubber mallet until pieces are tight.



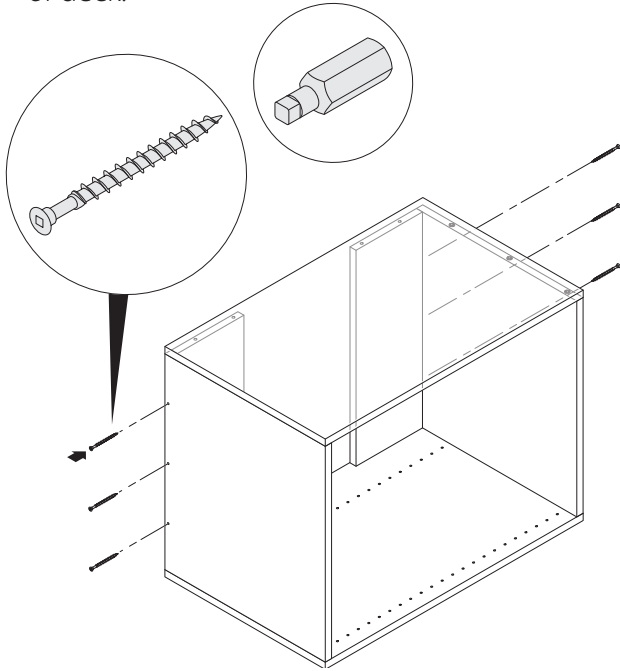
QUESTIONS?

Call 1-888-991-1559 or

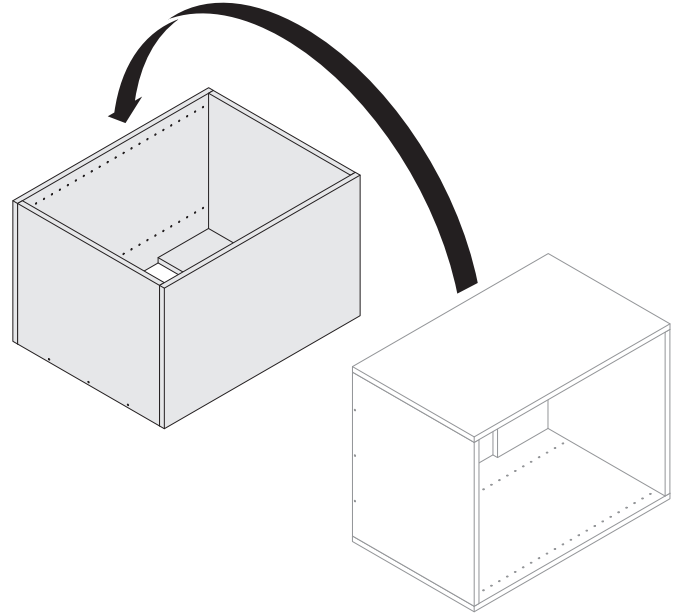
Email: Support@easygaragestorage.com

9 Install 2 ½" screws

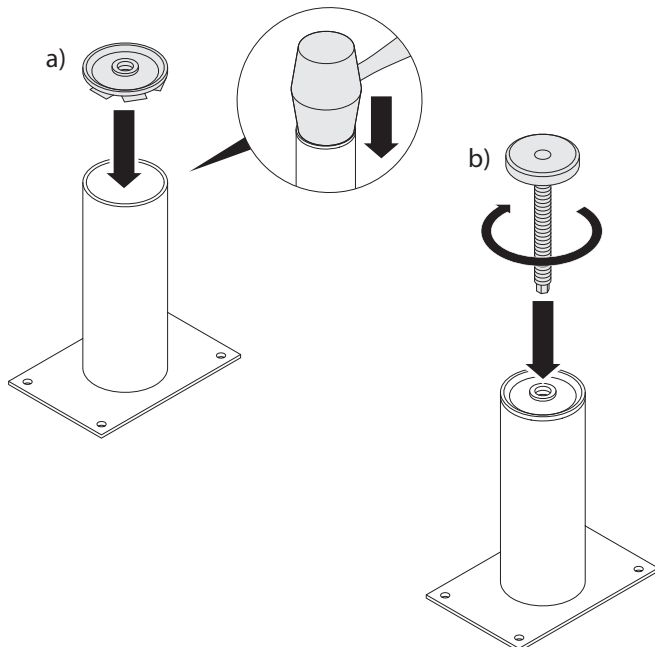
Using provided square drive tip, install three (3) 2 ½" screws through decks into cleats at each end of deck.

**10 Install legs on base and tall cabinet**

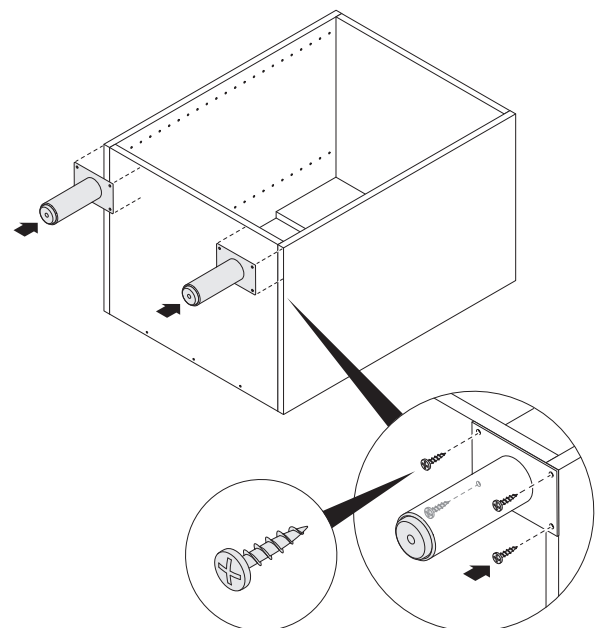
Rotate cabinet so it is laying on it's back. Leg installation is for base and tall cabinets only (not overhead cabinets).

**11 Assemble legs**

Lower cap onto leg and tap with mallet (a). Insert glide into hole and turn clockwise to tighten (b).

**12 Secure legs**

Align two (2) legs to front corners of cabinet. The long edge of the leg base will align with the front of the cabinet. Secure each leg to cabinet using four (4) ¾" screws.



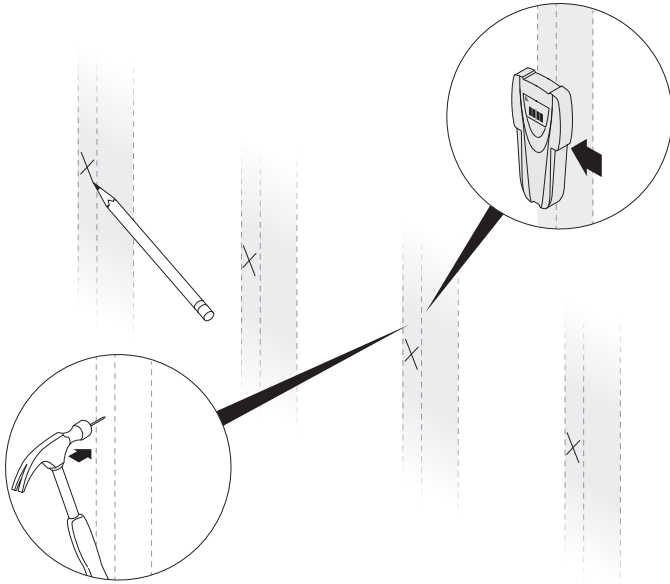
QUESTIONS?

Call 1-888-991-1559 or

Email: Support@easygaragestorage.com

1 Cabinet Installation

Find studs with stud finder. Mark stud locations with "X". Confirm stud location by driving small nail into wall.



2 Determine cabinet locations

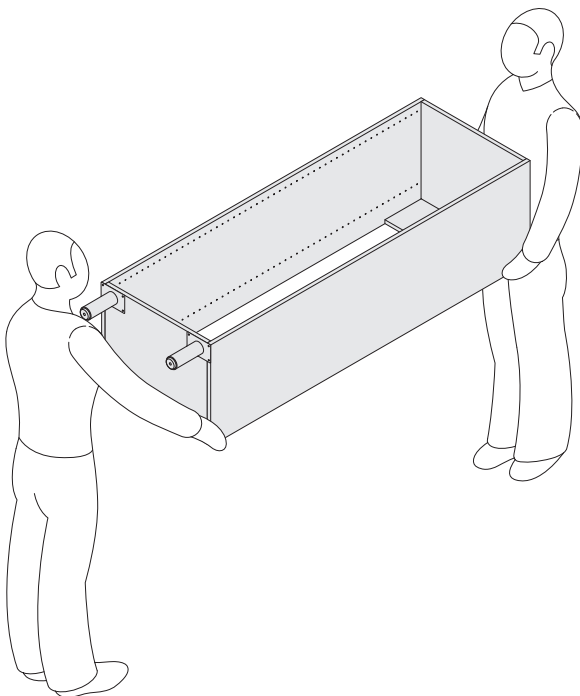
Note your obstructions such as switches, plugs, stem walls, garage door or track. Consider the configuration for stud support, as ideally, each cabinet requires two (2) studs for support.

Consider your floor slope when installing cabinet with legs to confirm adjustment is sufficient. Draw level and plumb lines on wall where cabinets will be placed.

Best cabinet installation sequence: Although there are unlimited design options and your cabinet layout is unique, it is generally best to begin installing cabinets near an obstruction or the corner of two adjoining walls and proceed installing to the opposite end of your design.

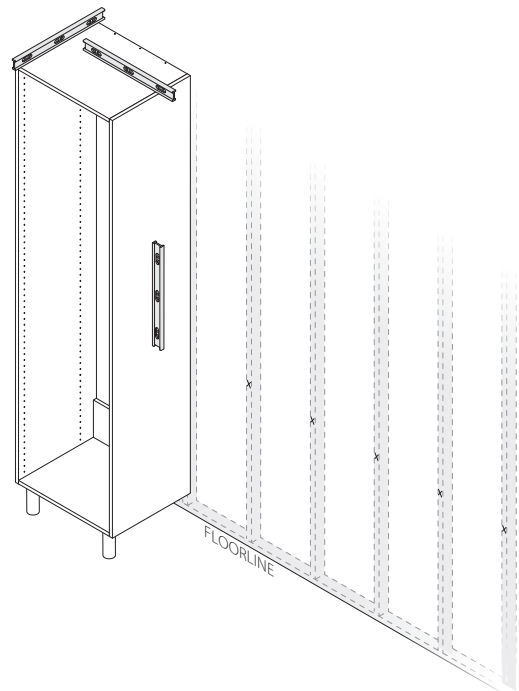
3 Install first cabinet

Lift the cabinet with two (2) people and hold into place against wall.



4 Level and plumb

Level and plumb cabinet and confirm desired location.



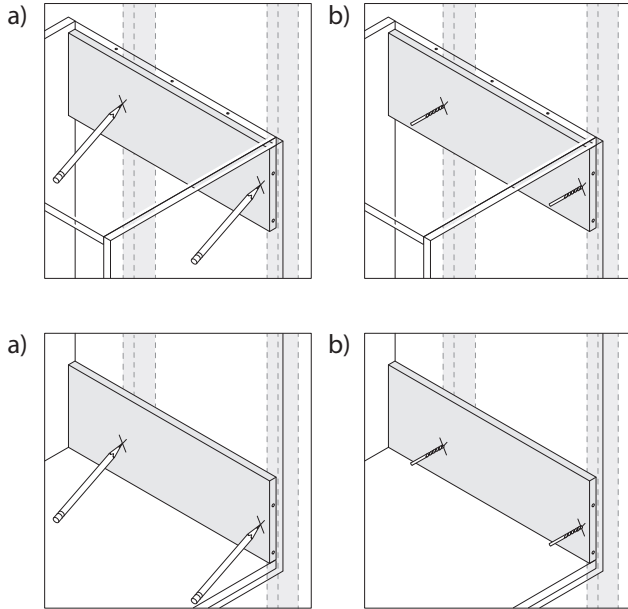
QUESTIONS?

Call 1-888-991-1559 or

Email: Support@easygaragestorage.com

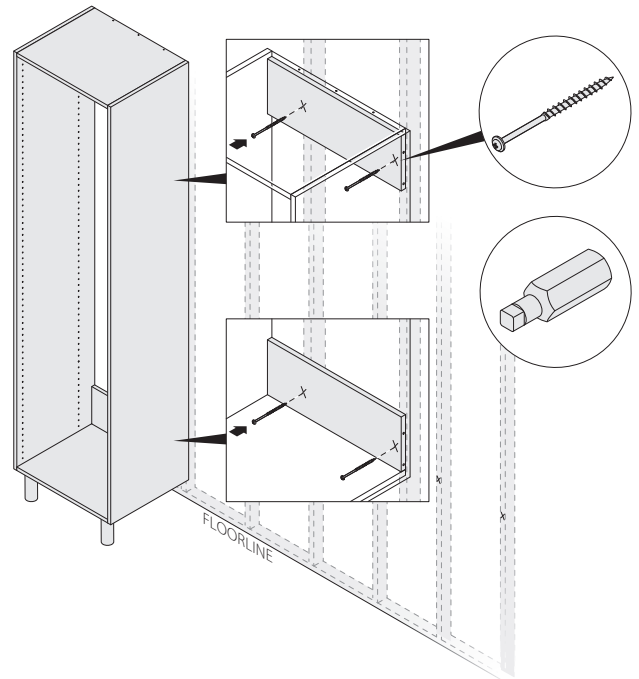
5 Transfer stud locations

Inside cabinet, mark stud locations on cleats (a) at top and bottom of cabinet (a) and drill $\frac{1}{8}$ " pilot hole into center of cleats only (b). **DO NOT DRILL PILOT HOLE INTO WALL.**



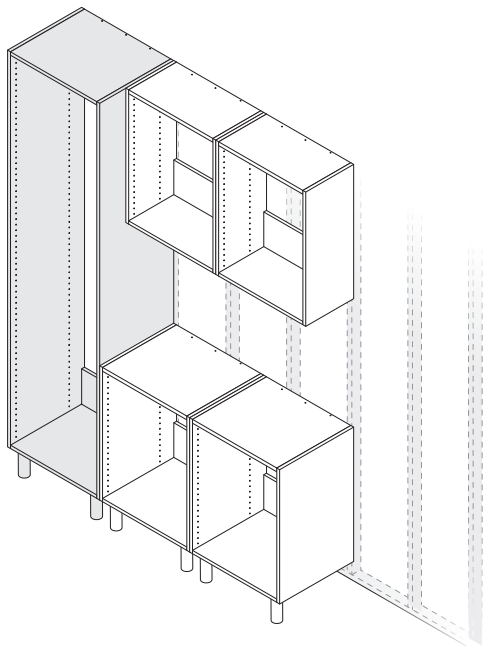
6 Attach with 3 1/2" screws

Using a square drive tip, attach the cabinet to the wood studs using 3 1/2" screws. Install screws into every stud.



7 Repeat

Repeat steps 4 through 6 for remaining cabinets. Use clamps and 1 1/4" screws as needed to fasten the cabinets to each other. Confirm the fit of tops as you install all the cabinets.



Component Installation

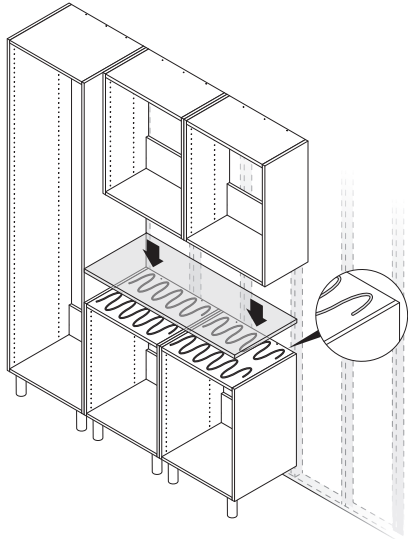
Now that your cabinets have been assembled and installed, you can begin installing your garage components – any drawers, doors, or other items that are unique to your garage storage solution.

1 Work Surface (Top) Installation

Confirm fit. Install tops using caulk (option 1) or screws (option 2).

Option 1 with caulk:

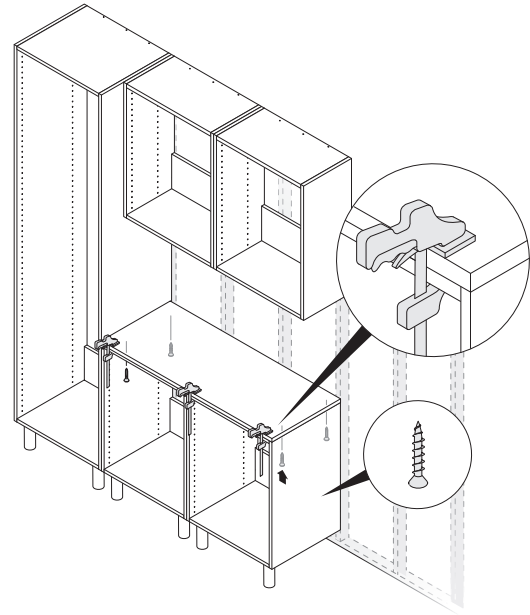
Apply dots or lines of caulk onto cabinets. Set top into place.



2 Install top (continued)

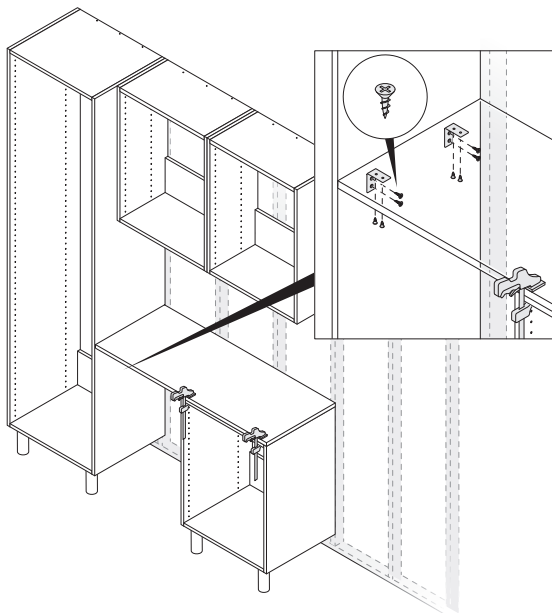
Option 2 with screws:

Use clamps or tape to hold into place. Secure top to cabinet deck by installing 1 1/2" screws through underside of cabinet deck.



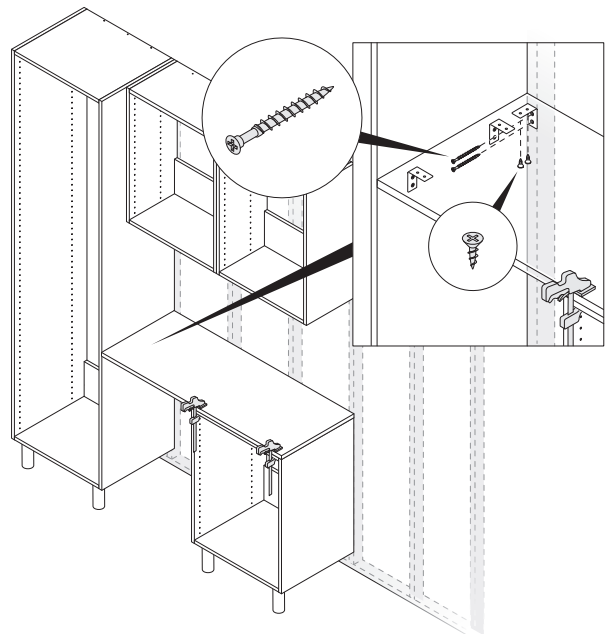
3 Install top at unsupported end

Anchor top to cabinet using three (3) L-brackets. Install two (2) L-brackets into the tall cabinet. Secure L-brackets to cabinet and top using four (4) 3/16" screws per L-bracket.



4 Install top at unsupported end (continued)

Anchor top to wood studs using one (1) L-bracket. Secure L-bracket to wood studs using two (2) 2" screws. Secure L-bracket to underside of top using two (2) 3/16" screws.



QUESTIONS?

Call 1-888-991-1559 or

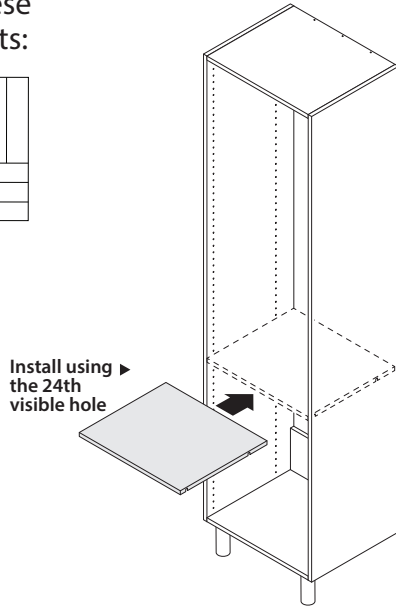
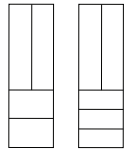
Email: Support@easygaragestorage.com

1 Fixed Shelf Installation

Drawer door tall combo cabinets

Install the fixed shelf at the 24th visible hole from the bottom.

For these cabinets:

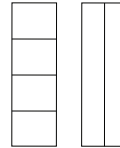


2 Install a fixed shelf (continued)

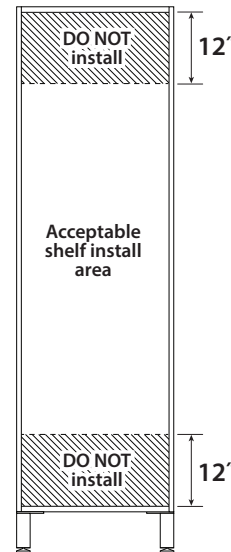
Tall shelf or tall double door cabinets

Plan your layout based on your storage needs and install the fixed shelf between 12" down and 12" up from the bottom. Do not use the 30th or 31st visible hole if you are installing doors.

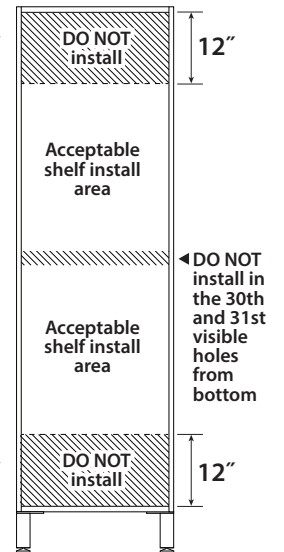
For these cabinets:



Without Doors

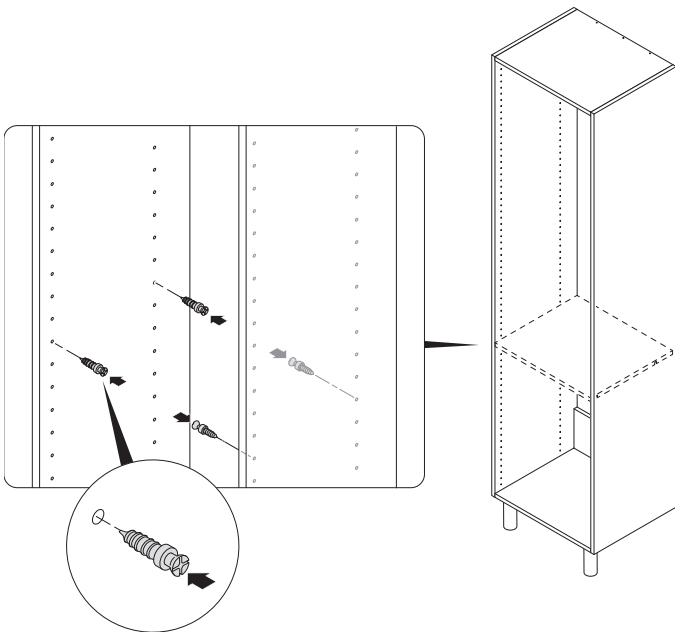


With Doors



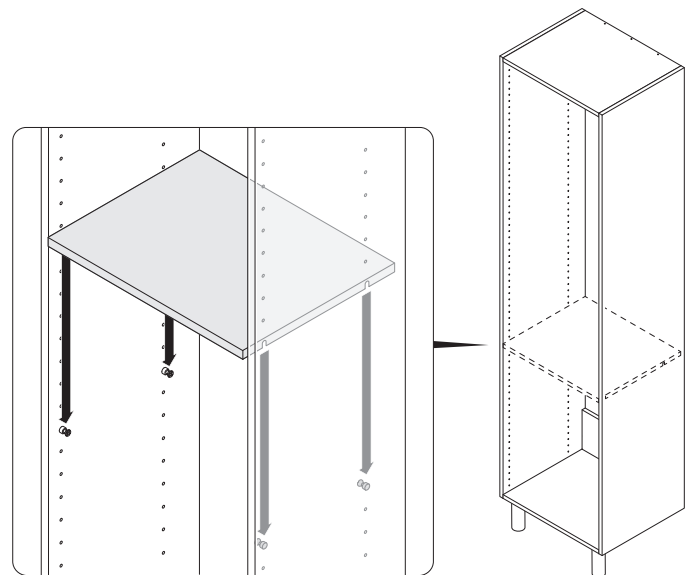
3 Install a fixed shelf (continued)

Install four (4) single cam screws into vertical.



4 Install a fixed shelf (continued)

Set fixed shelf onto screws.



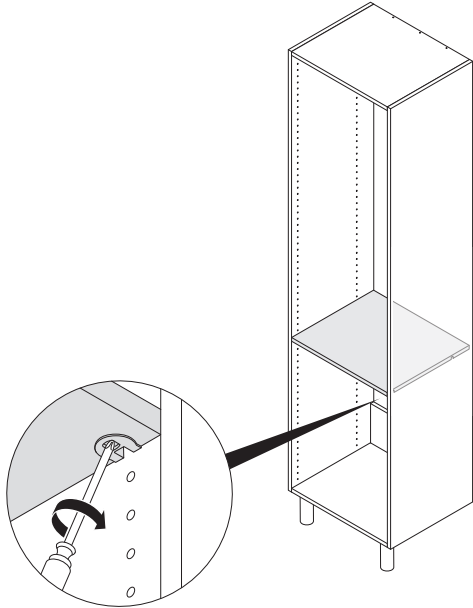
QUESTIONS?

Call 1-888-991-1559 or

Email: Support@easygaragestorage.com

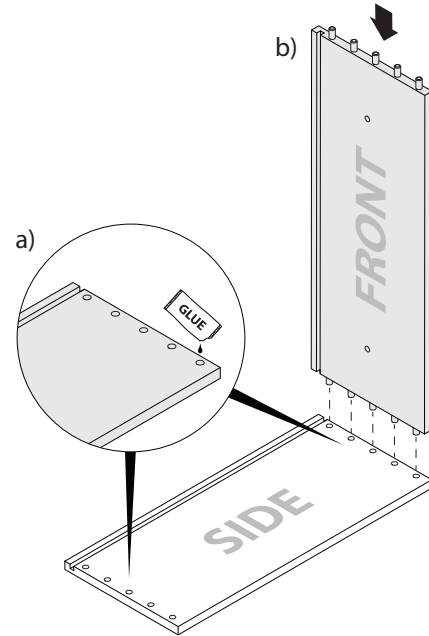
5 Install a fixed shelf (continued)

Lock fixed shelf. Holding the Philips screwdriver at a slight (15°) angle, lock fixed shelf with ¼-½ turn of screwdriver. **DO NOT FORCE.**



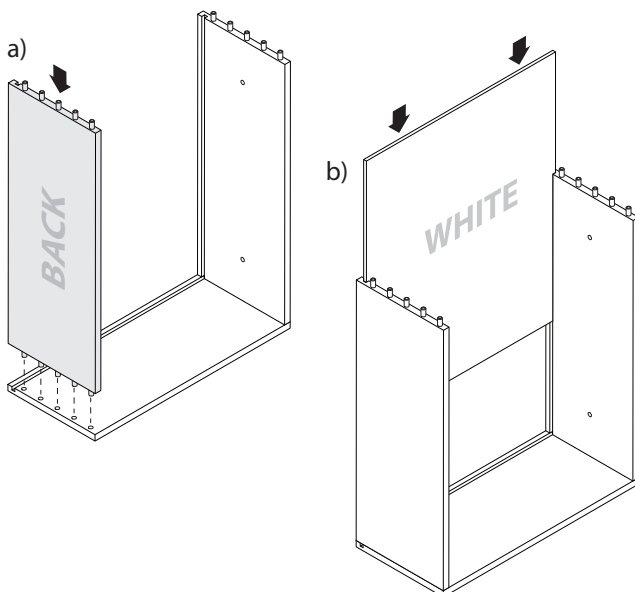
1 Drawer Assembly and Installation

Lay drawer box side flat. Place two drops of water or wood glue into dowel holes (a). Line up front and press dowels into holes (b). Tap as needed with rubber mallet.



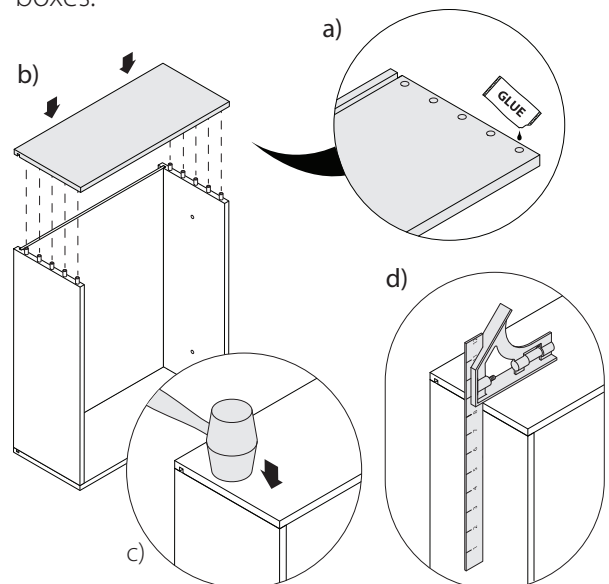
2 Assemble drawer

Line up back and press dowels into holes, and tap as needed (a). Slide drawer box bottom into groove and confirm white face is oriented correctly (b).



3 Assemble drawer (continued)

Lay other drawer box side flat, place two drops of water or wood glue in dowel holes (a). Flip over and confirm dowels align with holes (b). Tap as needed with rubber mallet (c). Check with square and set aside to dry (d). Repeat steps for all drawer boxes.



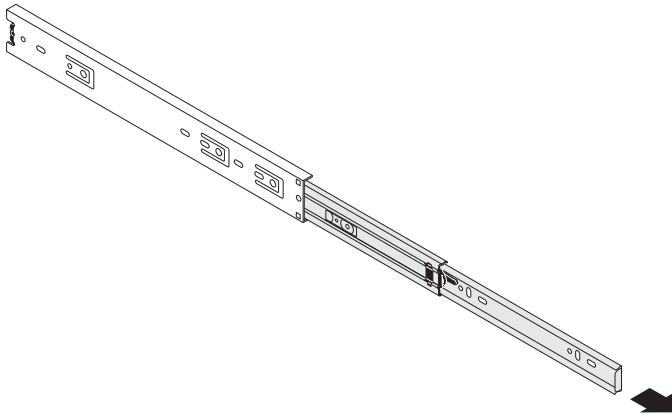
QUESTIONS?

Call 1-888-991-1559 or

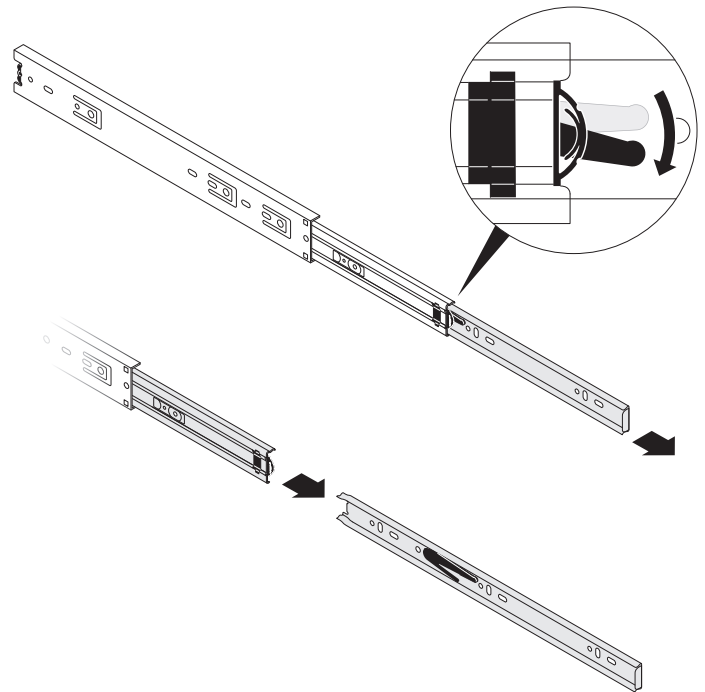
Email: Support@easygaragestorage.com

4 Extend drawer slide

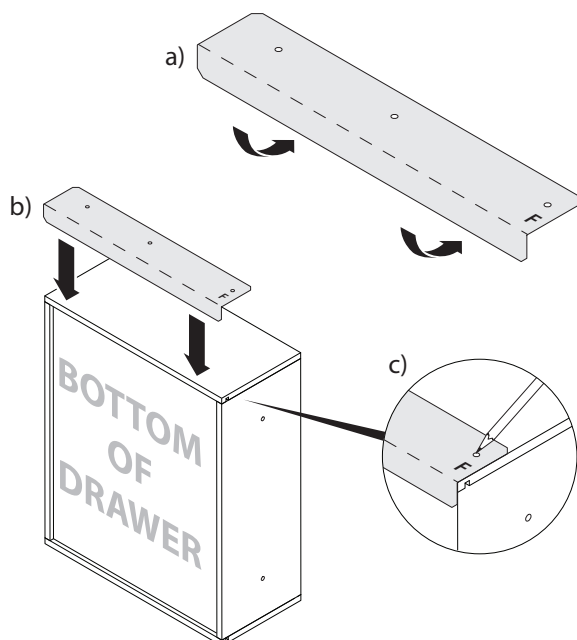
Slides may be greasy. Use a paper towel or rag if necessary. Pull slide outward.

**5 Separate drawer slides**

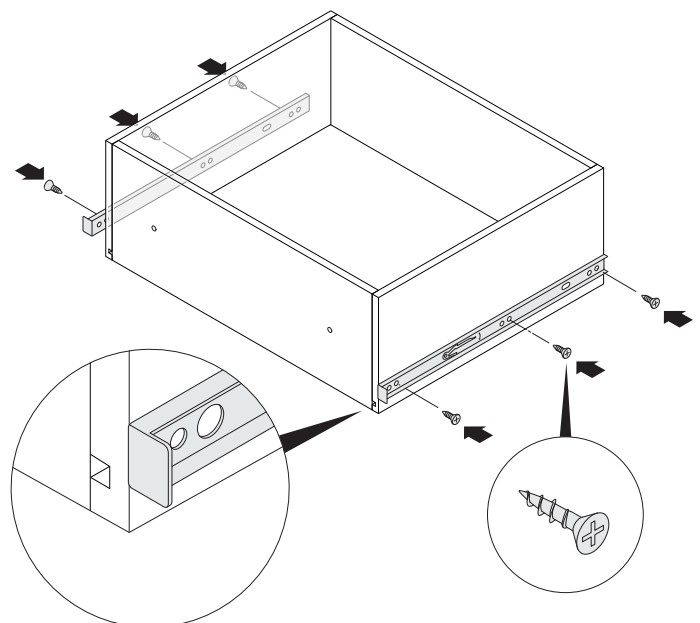
Disconnect slide by moving lever down as the arrow shows and pull apart.

**6 Mark screw location**

Using the provided template, bend template (a) and hold front of template flush to front of box (b). Mark holes with pencil (c).

**7 Attach slides to box**

Place slide onto drawer box and align holes with marks. Attach slide to drawer box using three (3) #6 x 1/2" screws on each side.



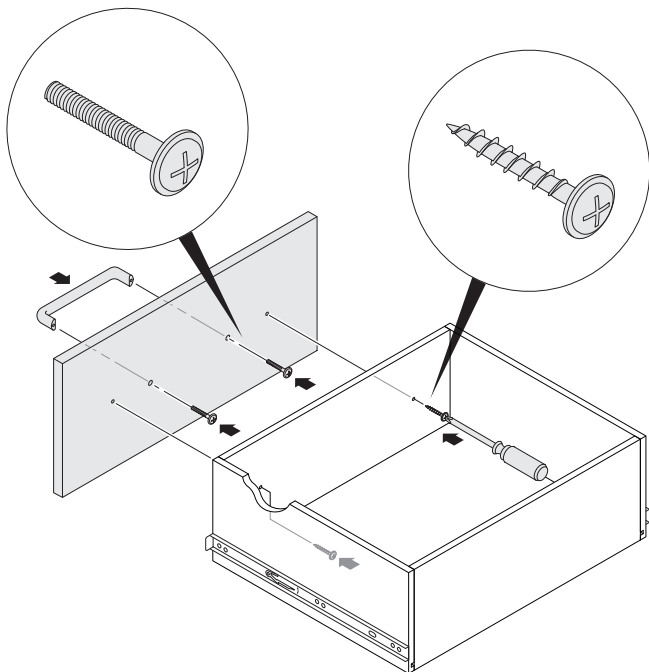
QUESTIONS?

Call 1-888-991-1559 or

Email: Support@easygaragestorage.com

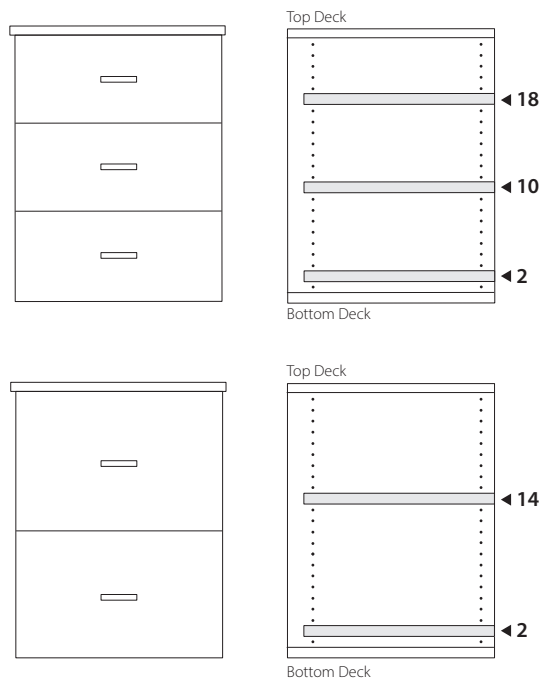
8 Attach handle

Using a hand screwdriver, attach handle to drawer front with screws provided, then attach front to drawer box.



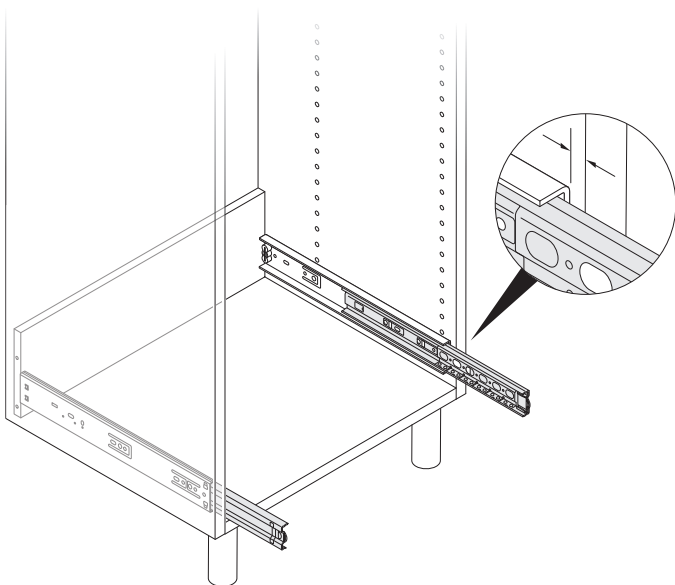
9 Install drawer in cabinet

Refer to drawer slide diagram below to determine slide location.



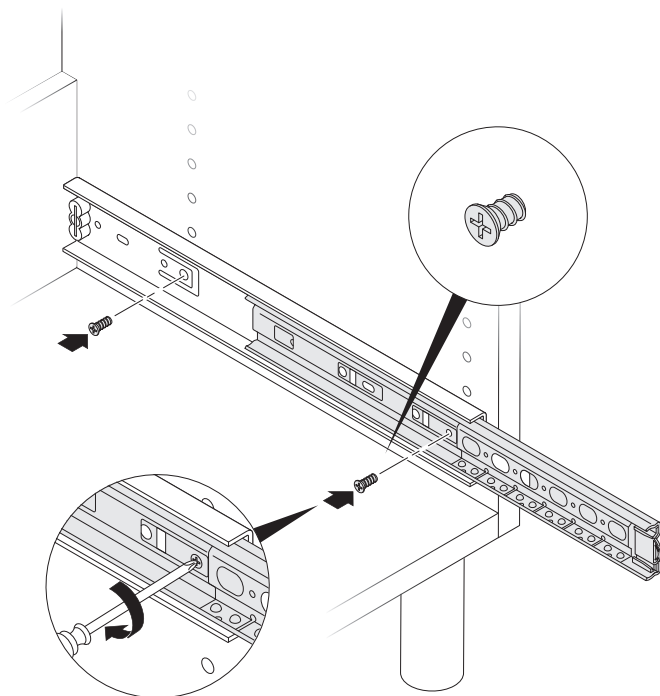
10 Install drawer in cabinet (continued)

Place slide onto vertical just back from front edge of vertical.



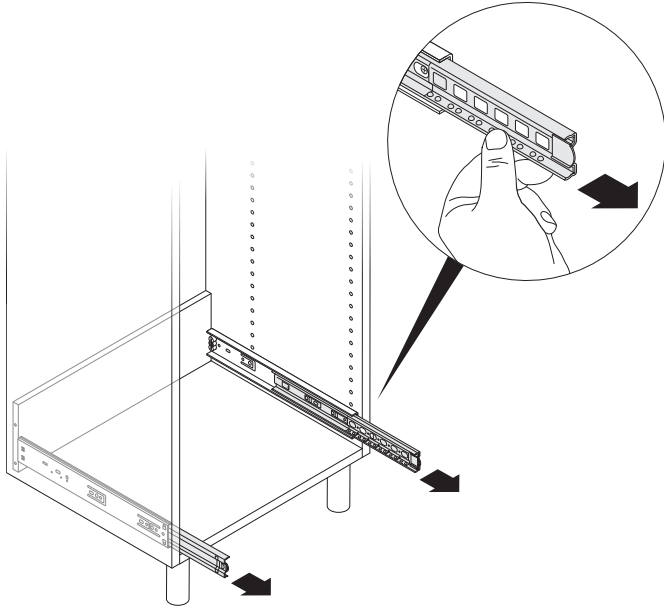
11 Install drawer in cabinet (continued)

Secure using two (2) Euro screws.

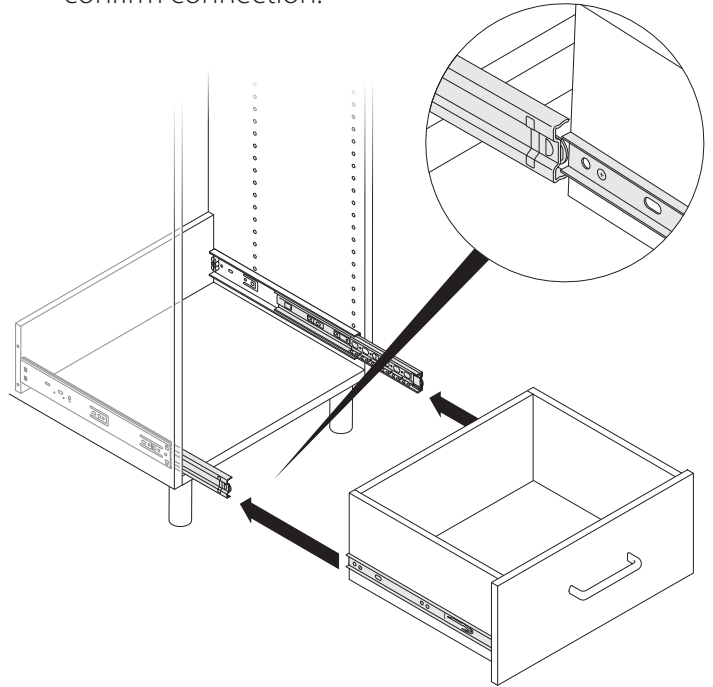
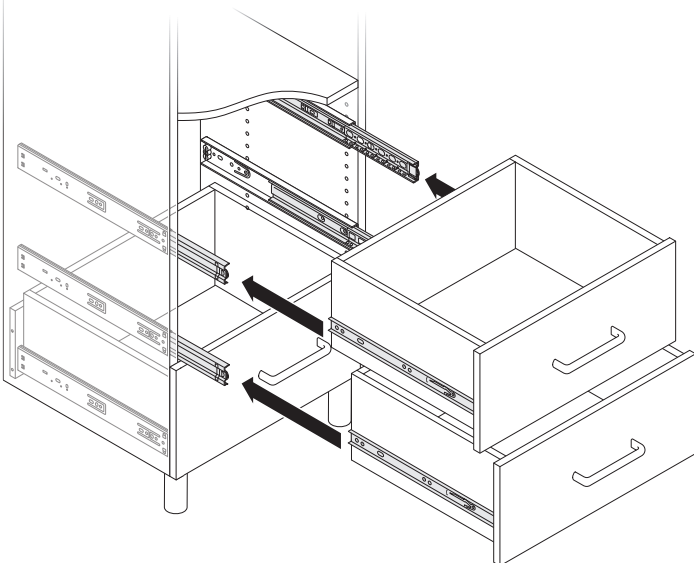


12 Install drawer in cabinet (continued)

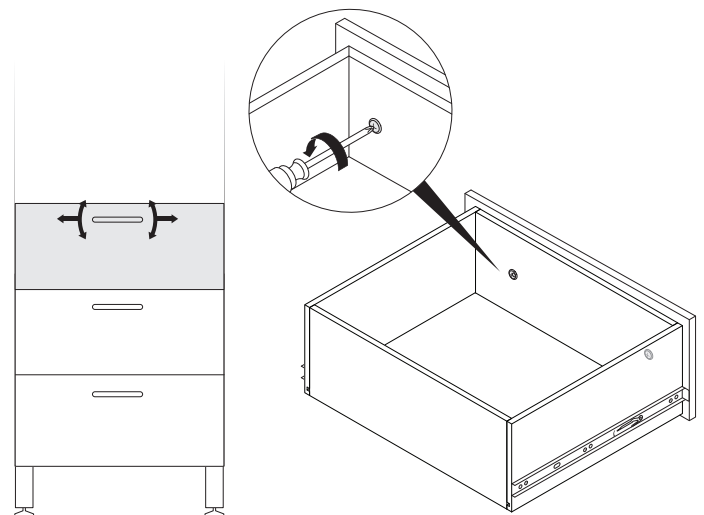
Pull ball retainers forward.

**13 Install drawer in cabinet (continued)**

Align drawer slide with cabinet slide. Gently press fully closed. Open and close drawer once to confirm connection.

**14 Repeat for remaining drawers****15 Align fronts**

Starting with top drawer, use a screwdriver to slightly loosen drawer front screws (inside drawer). Adjust fronts to level alignment (an 1/8" gap between drawers is typical). Retighten screws.



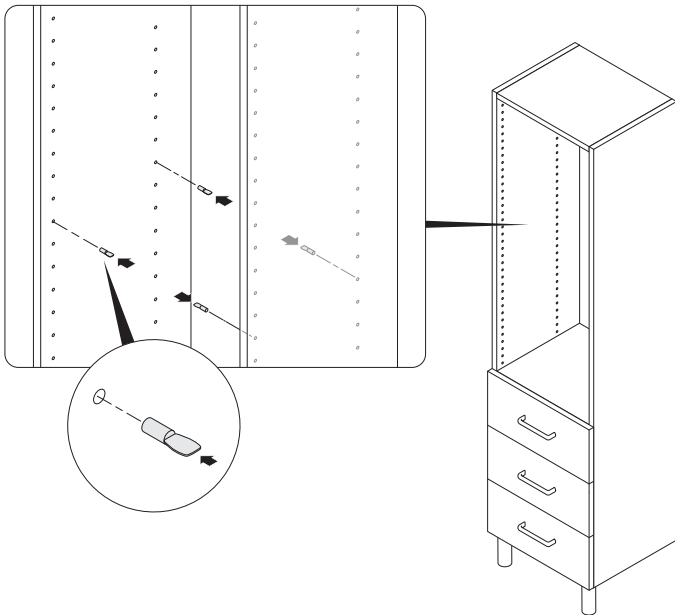
QUESTIONS?

Call 1-888-991-1559 or

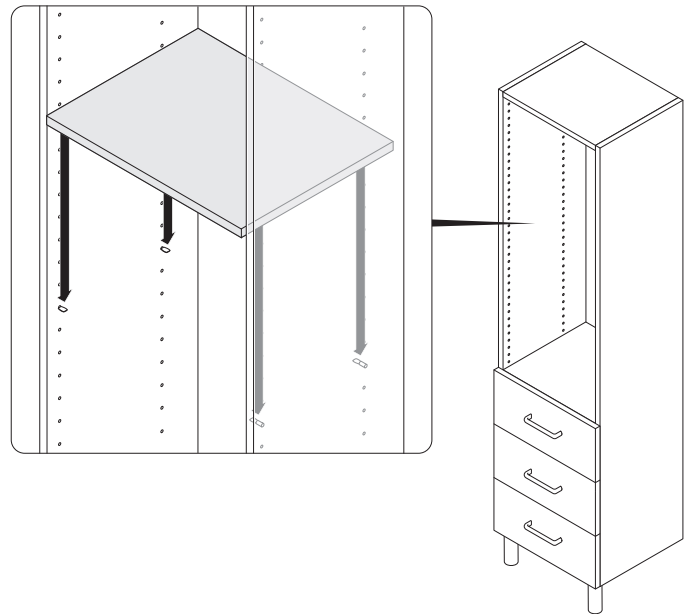
Email: Support@easygaragestorage.com

1 Adjustable Shelf Installation

Determine location and insert shelf pins.

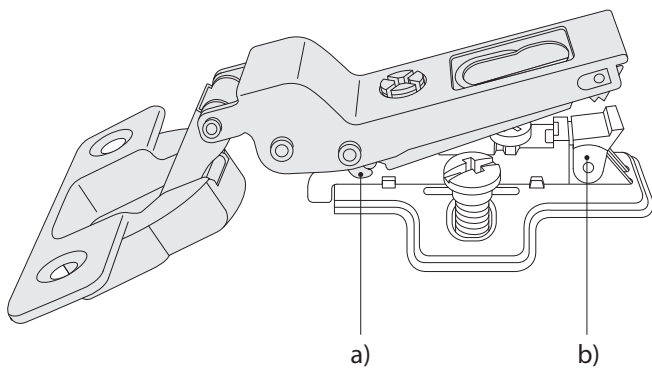


2 Place shelf onto shelf pins



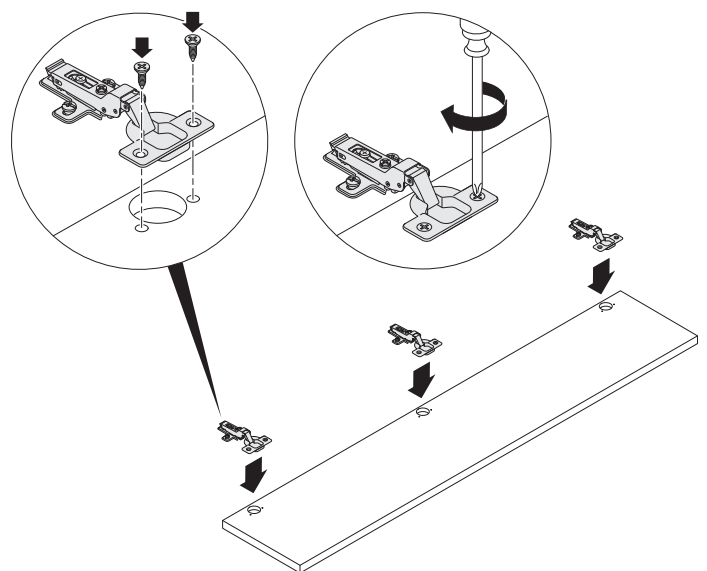
1 Door Assembly and Installation

Hook hinge into mounting plate (a) and snap to lock together (b).



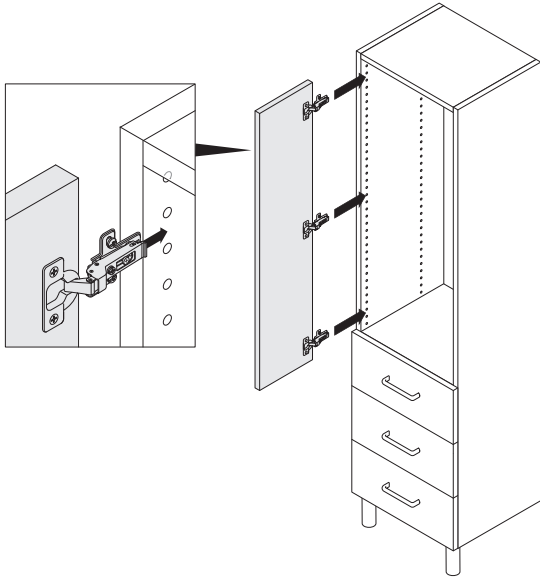
2 Attach hinges to door

Using two (2) #6 x 5/8" screws, attach hinge cup to door.

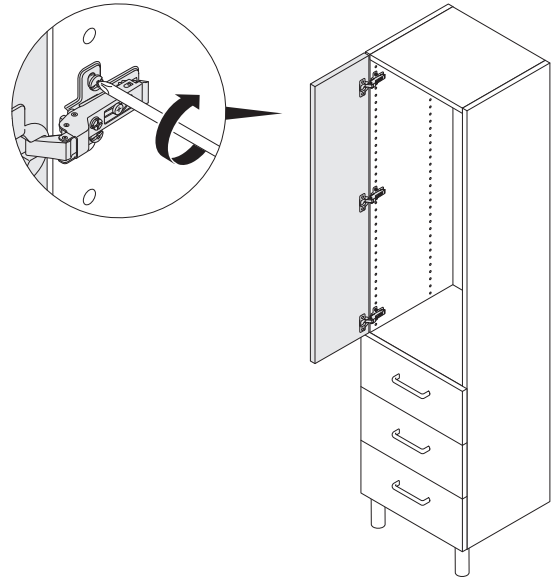


3 Align

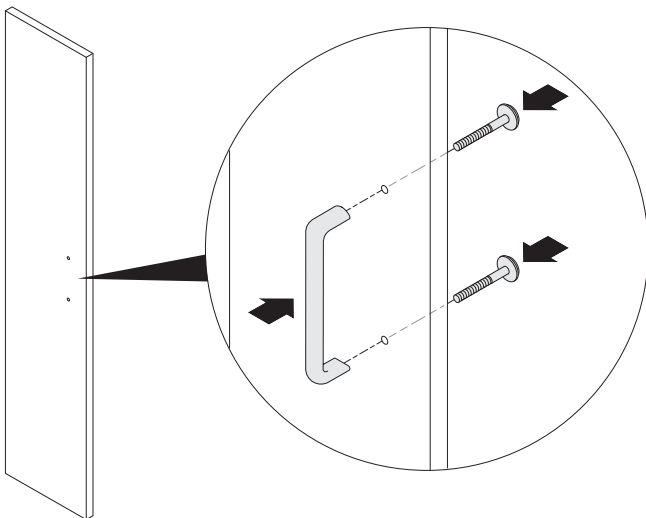
Hold door in place. Hinge plate should align to holes.

**4 Attach door**

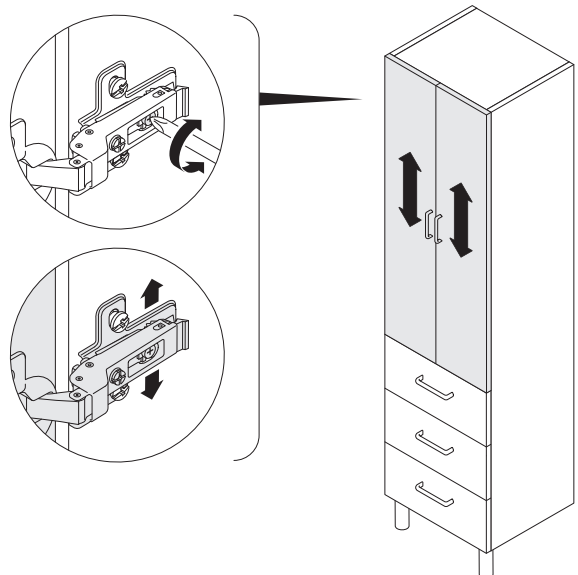
Attach hinge to vertical.

**5 Attach handle**

Attach screws through door into handle.

**6 Adjust/align door up and down**

Using a hand screwdriver, turn the adjuster screws to adjust door to desired position. An $\frac{1}{8}$ " gap between doors is typical.



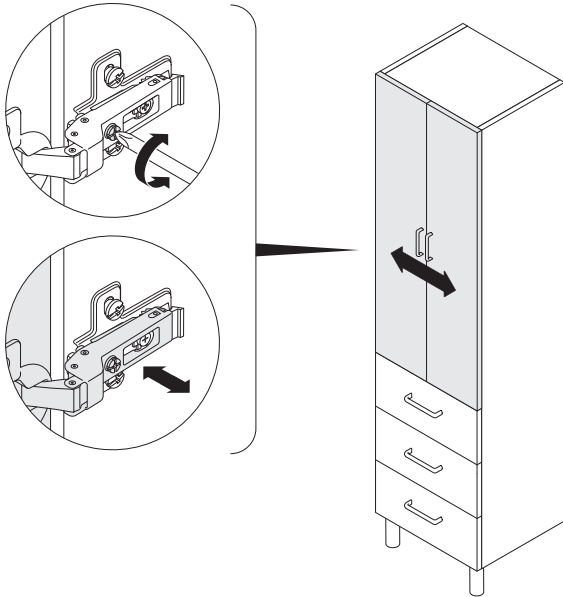
QUESTIONS?

Call 1-888-991-1559 or

Email: Support@easygaragestorage.com

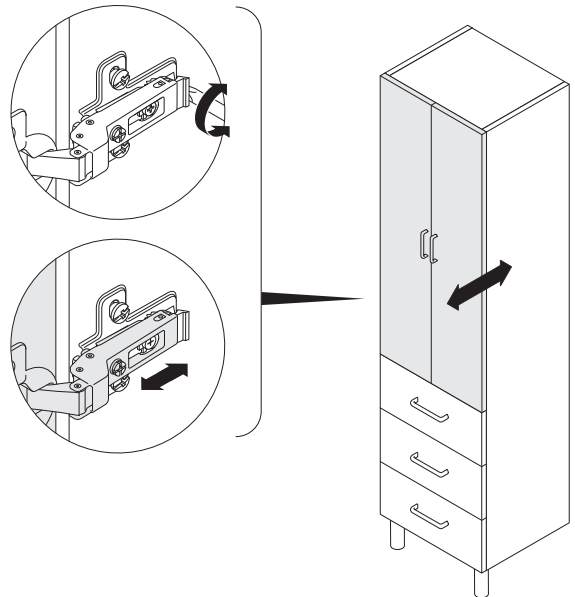
7 Adjust/align door side to side

Turn adjuster screws to adjust door to desired position.



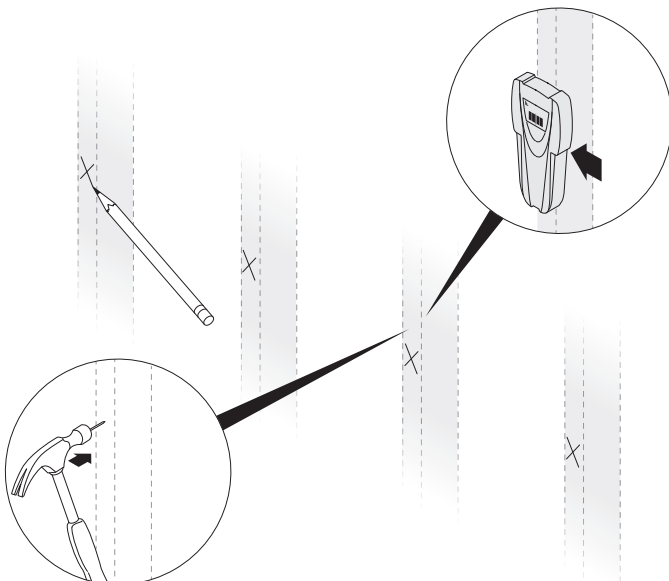
8 Adjust/align door in and out

Turn adjuster screws to adjust door to desired position.



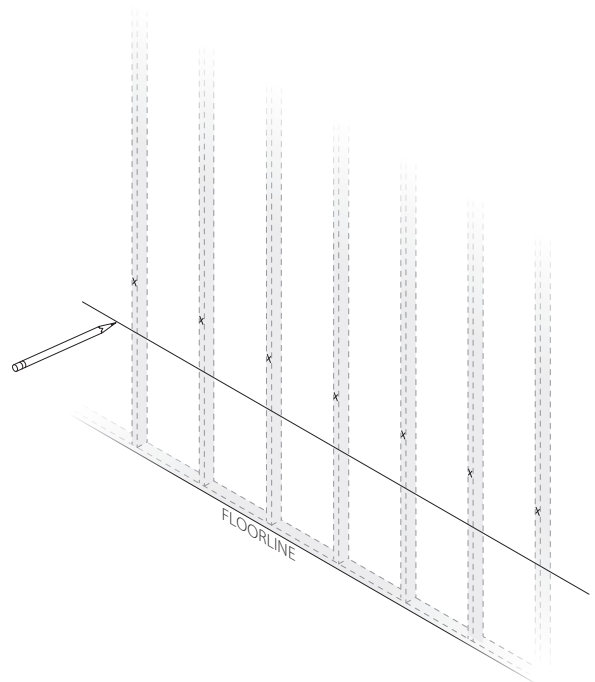
1 Slatwall Installation with Molding

Find studs with stud finder. Mark stud locations with "X". Confirm stud location by driving small nail into wall.



2 Draw line

Draw a level line at the lowest point you want the slatwall.



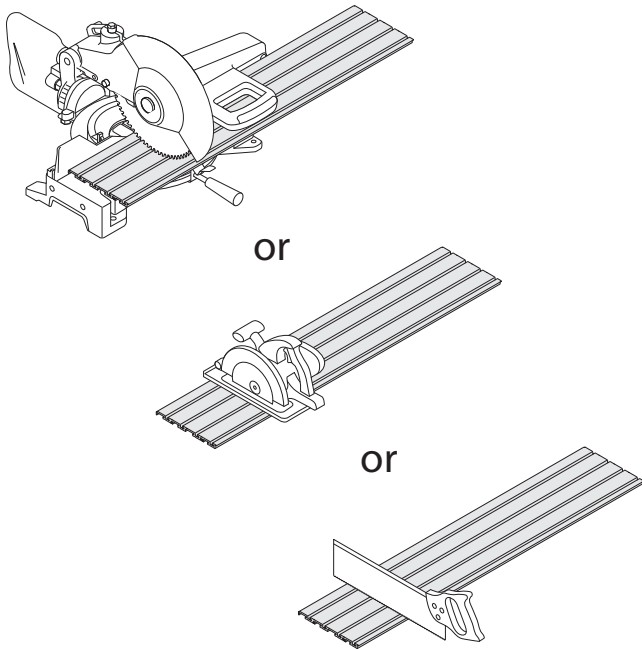
QUESTIONS?

Call 1-888-991-1559 or

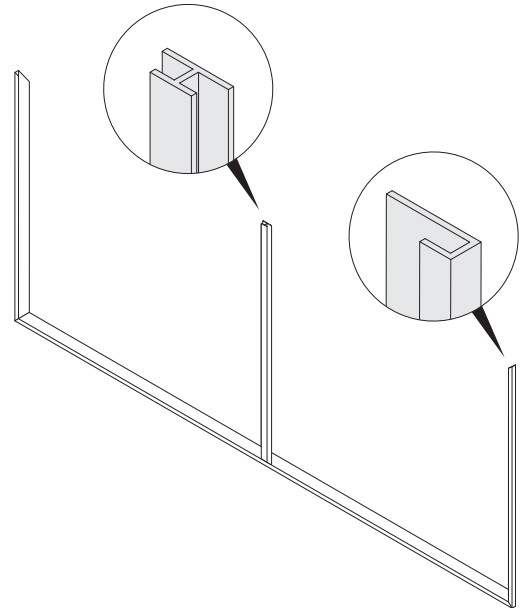
Email: Support@easygaragestorage.com

3 Cut slatwall

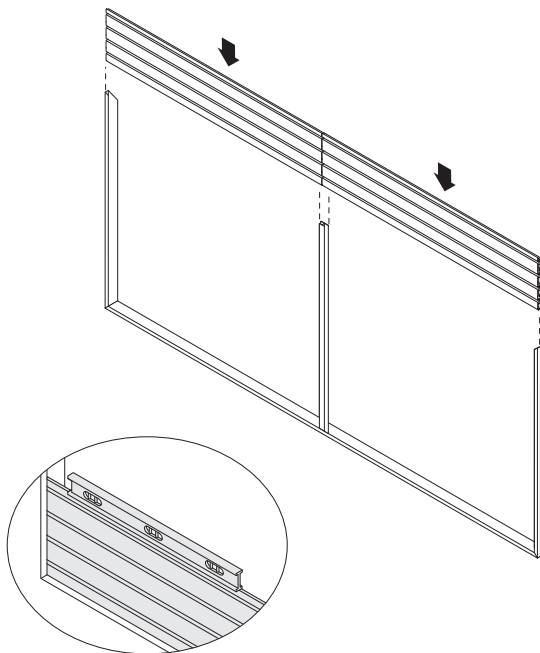
Measure and cut slatwall as needed with a saw and thin sharp blade. Cut slowly and carefully.

**4 Install molding**

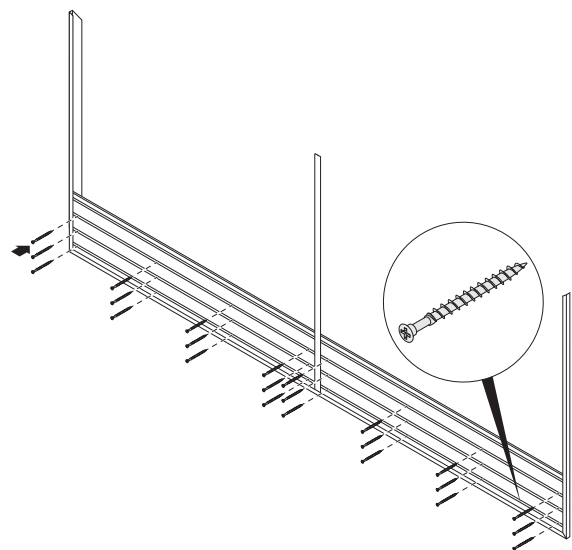
Install frame molding around the perimeter and the seam molding between panel ends. Measure and cut the molding for either butt or miter joints. Attach with 2 1/2" screws with painted heads.

**5 Install slatwall**

Slide the first slatwall pieces down into the molding. Level and plumb.

**6 Install slatwall (continued)**

Attach at wall studs with 2 1/2" screws with painted heads. Screws should be installed within the slats.



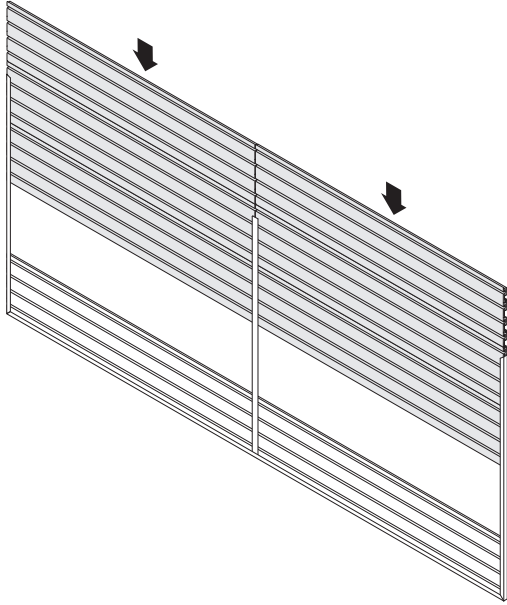
QUESTIONS?

Call 1-888-991-1559 or

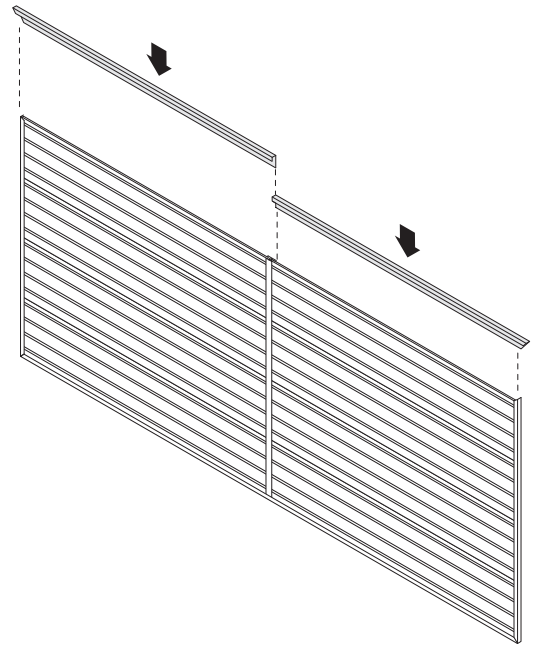
Email: Support@easygaragestorage.com

7 Install remaining slatwall rows

Continue sliding remaining slatwall panels into the molding. Attach with screws.

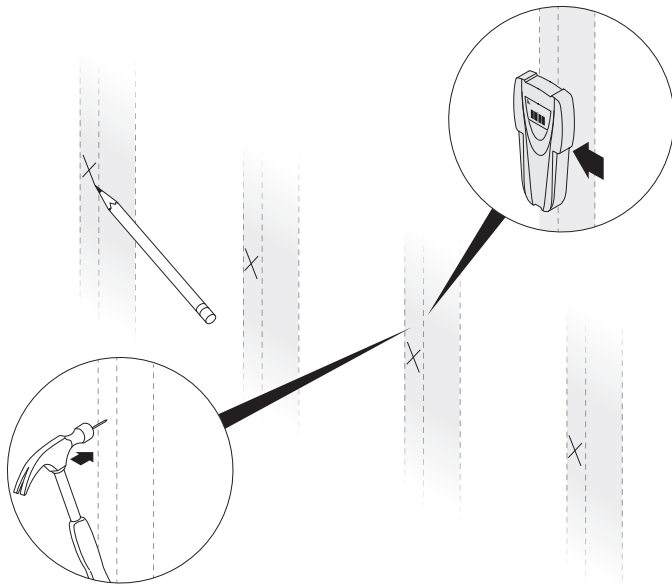


8 Install the frame molding at top



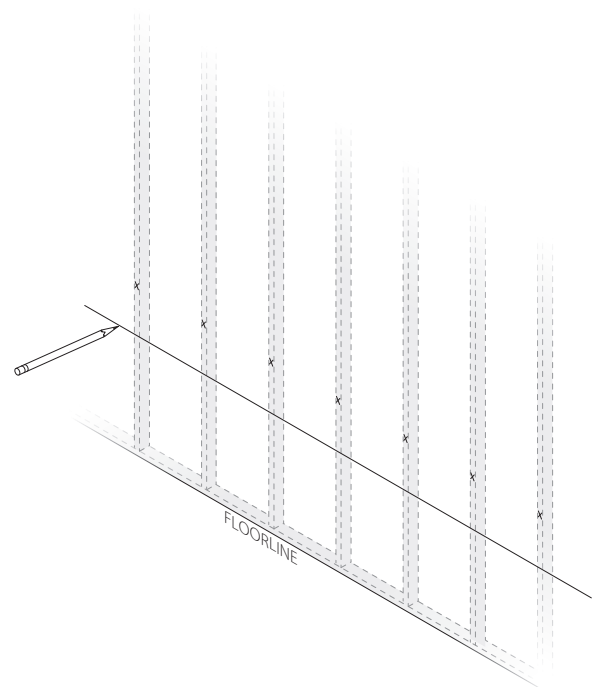
1 Slatwall Installation w/o Molding

Find studs with stud finder. Mark stud locations with "X". Confirm stud location by driving small nail into wall.



2 Draw line

Draw a level line at the lowest point you want the slatwall.



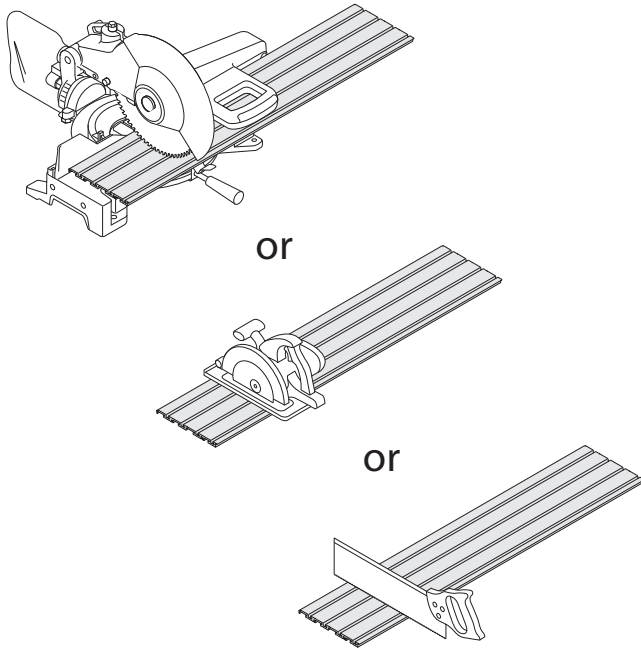
QUESTIONS?

Call 1-888-991-1559 or

Email: Support@easygaragestorage.com

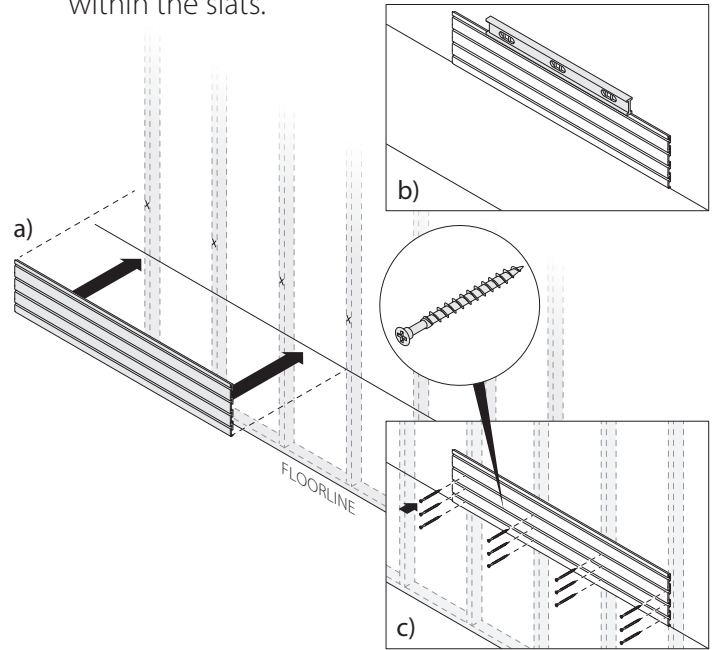
3 Cut slatwall

Measure and cut slatwall as needed with a saw and thin sharp blade. Cut slowly and carefully.



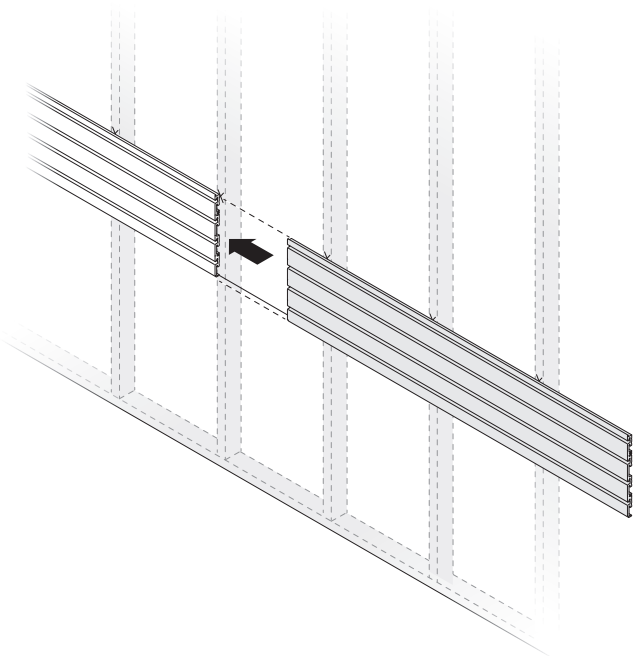
4 Install first slatwall panel

Place the first panel on this line (a). Level and plumb (b). Screw into wall studs using 2 1/2" screws with painted heads (c). Screws should be installed within the slats.



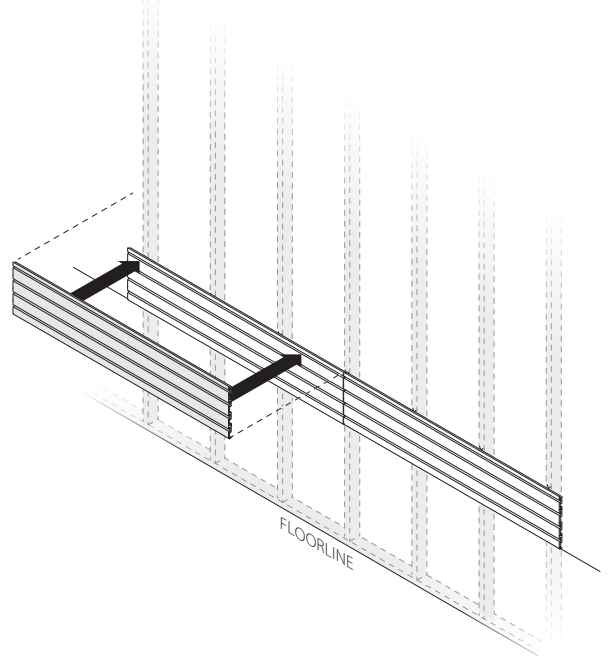
5 Install second slatwall panel

Place second panel next to the first panel. Screw slatwall into place. Continue adding panels until the first row is complete.



6 Install second row

Begin a second row of panels on top of the first row and screw panels into wall studs. The panels interlock as they are added vertically. Repeat as needed.



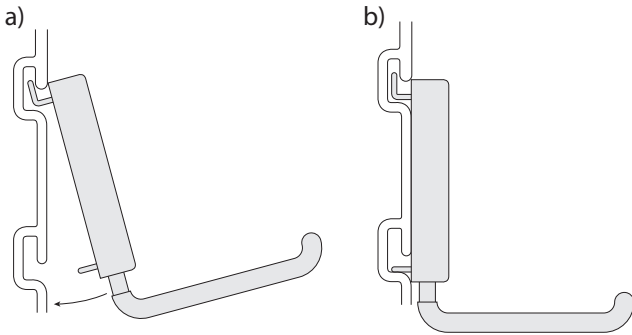
QUESTIONS?

Call 1-888-991-1559 or

Email: Support@easygaragestorage.com

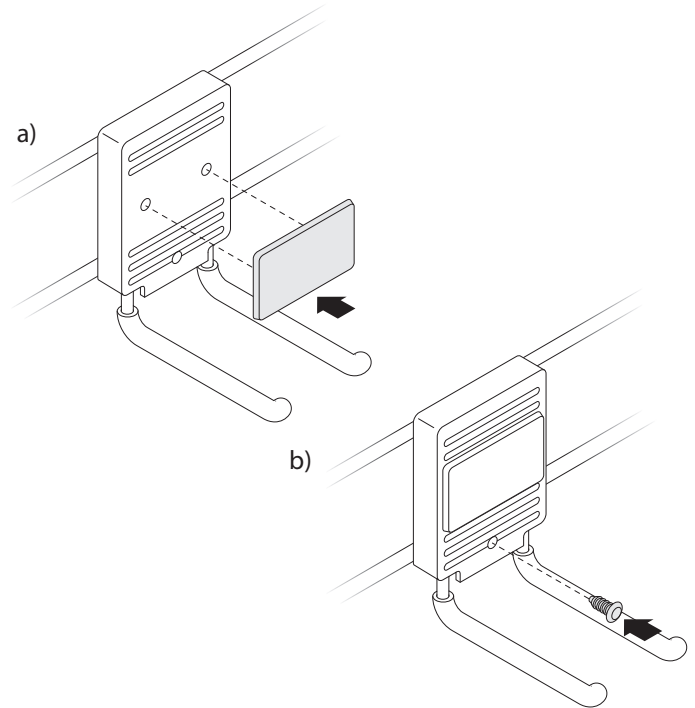
1 Install Accessories

Install accessory onto slatwall.



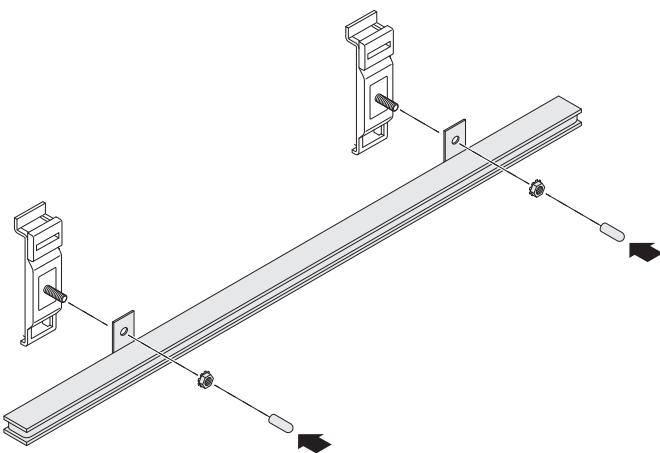
2 Install accessories (continued)

Snap badge onto accessory (a).
Push plug into hole (b).



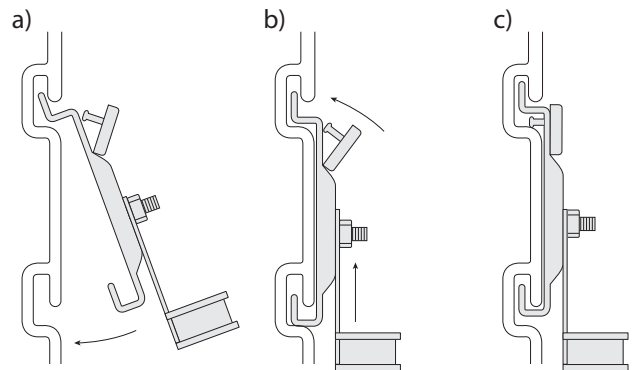
3 Install magnetic tool bar

Attach accessory clip to magnetic bar with bolt, nut and cover.



4 Install magnetic tool bar (continued)

Slip accessory clip into slatwall (a), slide up (b), and close the latch to lock into place (c).



QUESTIONS?

Call 1-888-991-1559 or

Email: Support@easygaragestorage.com

EASYGARAGE

HAVE ANY QUESTIONS?

Give us a call 1-888-991-1559

Monday through Thursday: 8:00 AM to 7:00 PM EST

Friday: 8:00 AM to 6:00 PM EST

Saturday: 8:00 AM to 5:00 PM EST

Se habla Español

Helpful information at EasyGarageStorage.com/Installation

IDEAS? COMMENTS?

Email to: Support@easygaragestorage.com

EasyGarage

3311 Windquest Dr.

Holland, MI 49424

www.EasyGarageStorage.com